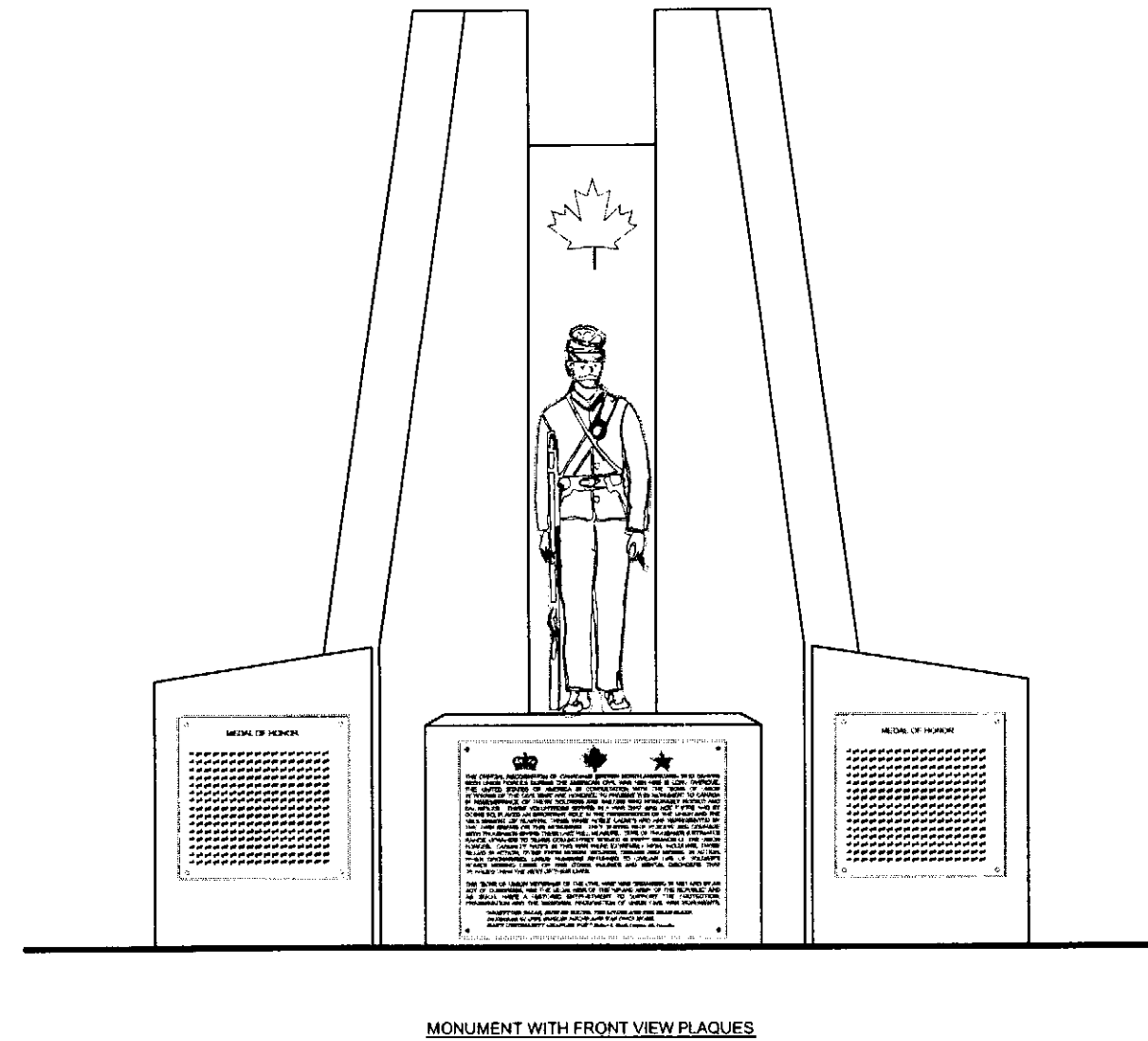


MONUMENT MATERIAL FINISH



MONUMENT WITH FRONT VIEW PLAQUES

FINISHED MONUMENT

Robert E. Heath is a National Member at Large of the "SONS OF UNION VETERANS OF THE CIVIL WAR".

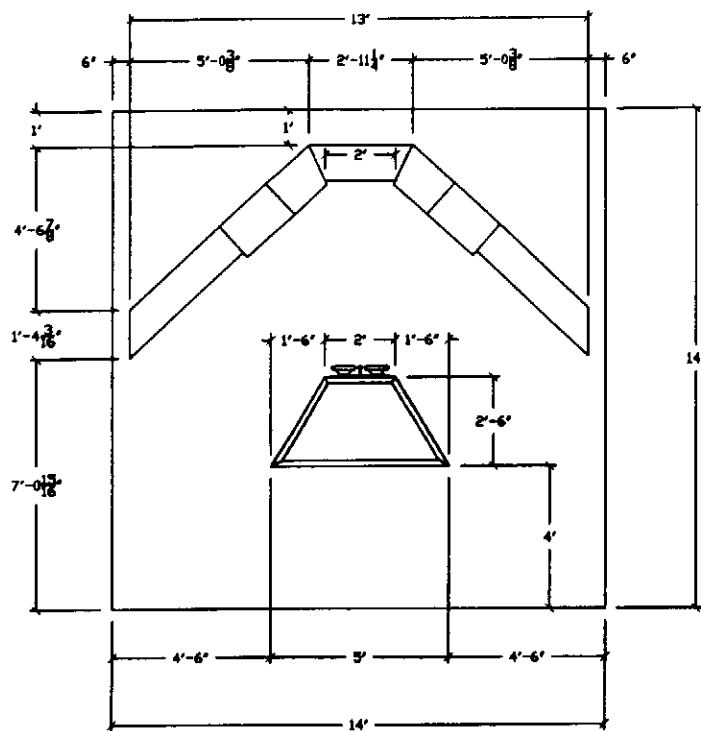
Confidential: Property of Robert E. Heath, Calgary, Alberta, Canada.
 Not to be handed over to, copied or used by third party unless permission granted by the noted designer.
 This drawing supersedes all previous hand drawn drawings and sketches.

Robert E. Heath can accept no responsibility for possible errors in printed matter and reserves the right to alter this drawing without notice.

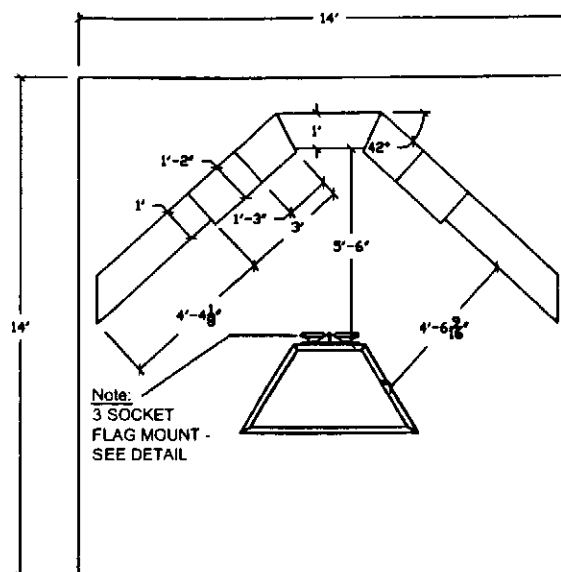
RevNo	Revision note	Date	Signature	Checked

Designed by: Robert E. Heath	Drawn by: Dale Heath	Design Concept ANGLES & HEROES	Date 28/02/09	Scale 3/4" = 1'
Dwg #: Monument		Canadian Union Veteran's Civil War Monument (1861-1865)		
Revision 0	Sheet 1 of 3			

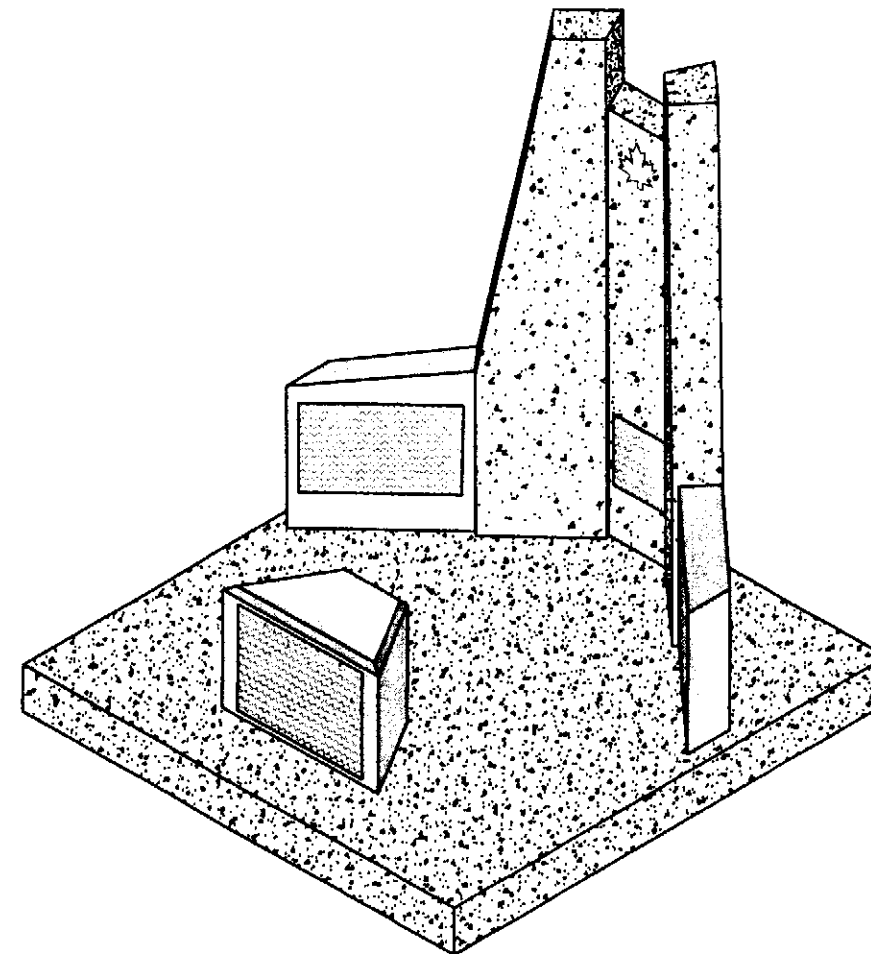
Robert E. Heath



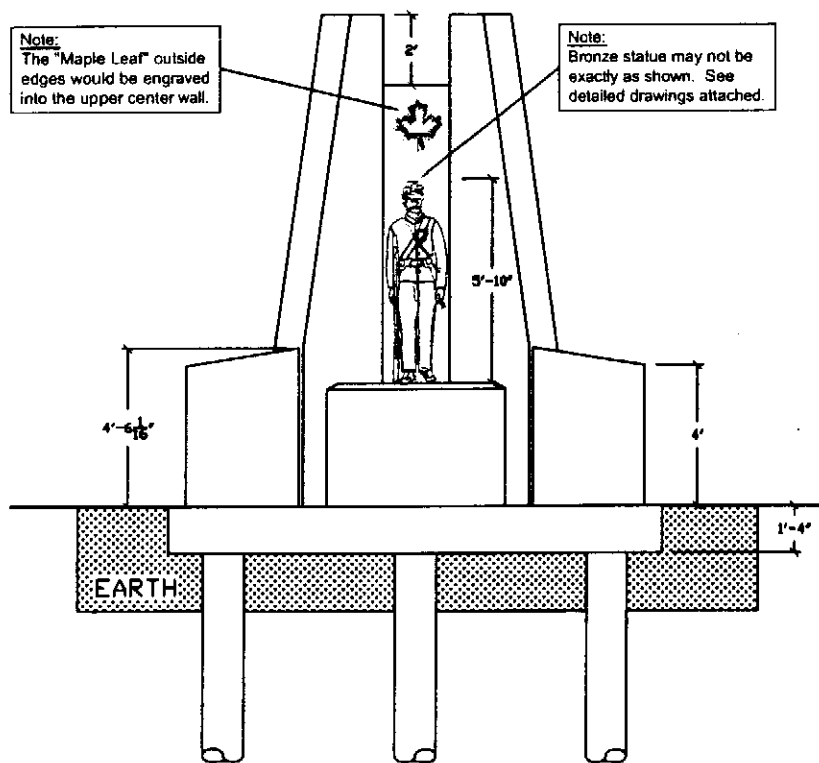
TOP VIEW



TOP VIEW (Main Monument)

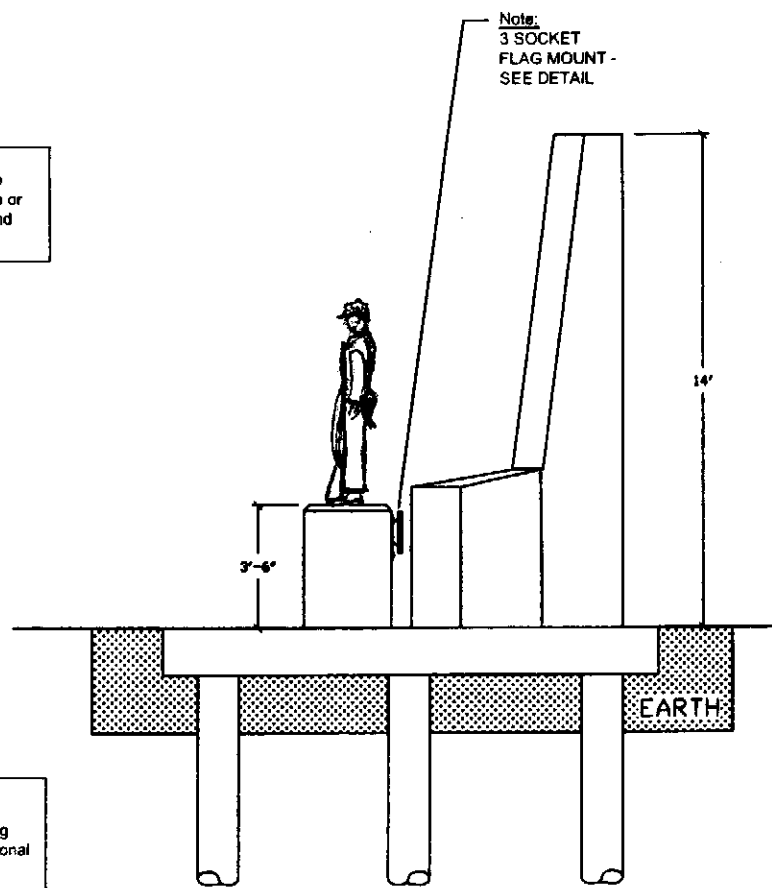


ISOMETRIC VIEW



FRONT VIEW

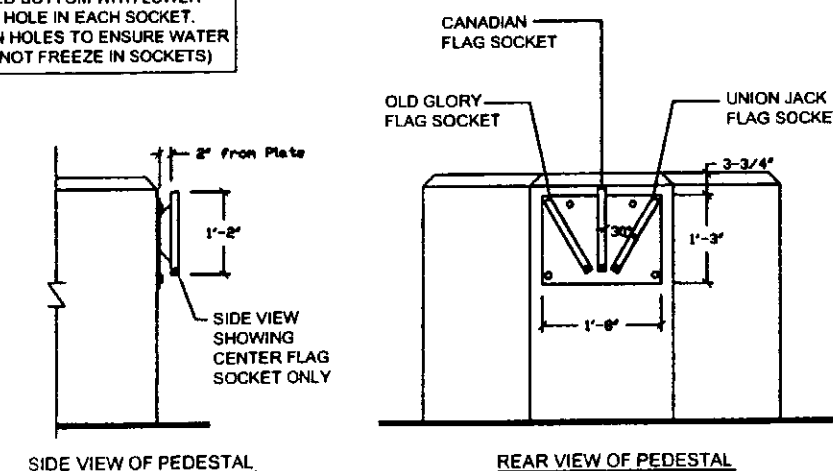
Note:
Structural monument materials to be finished concrete or polished granite or combination. Monument plaques and soldier on pedestal to be bronze.



RIGHT SIDE VIEW

Note:
Base thickness and number of concrete pilings to be determined by others. Piling maximum setting depth to be below regional frost penetration.

NOTE:
3 SOCKET FLAG MOUNT TO BE FABRICATED. SOCKETS TO BE CLOSED BOTTOM WITH LOWER DRAIN HOLE IN EACH SOCKET. (DRAIN HOLES TO ENSURE WATER DOES NOT FREEZE IN SOCKETS)



3-SOCKET FLAG MOUNT DETAIL

scale: NTS *Robert E. Heath*

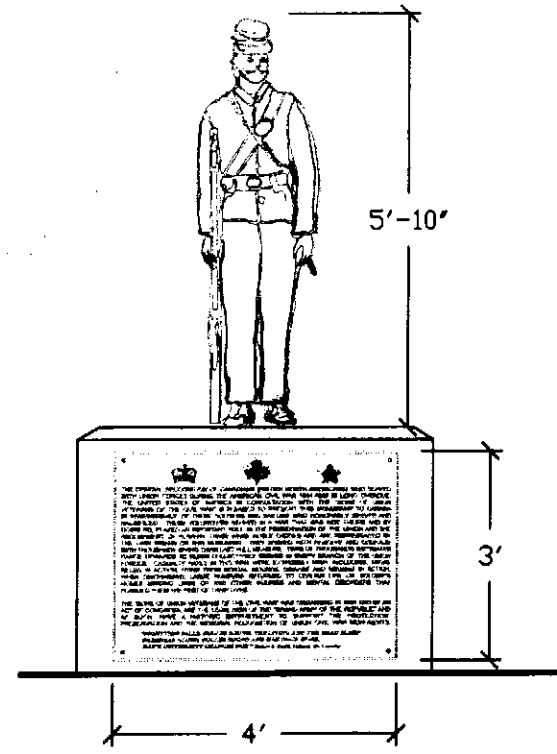
Robert E. Heath is a National Member at Large of the "SONS OF UNION VETERANS OF THE CIVIL WAR".

Confidential: Property of Robert E. Heath, Calgary, Alberta, Canada. Not to be handed over to, copied or used by third party unless permission granted by the noted designer. This drawing supersedes all previous hand drawn drawings and sketches.

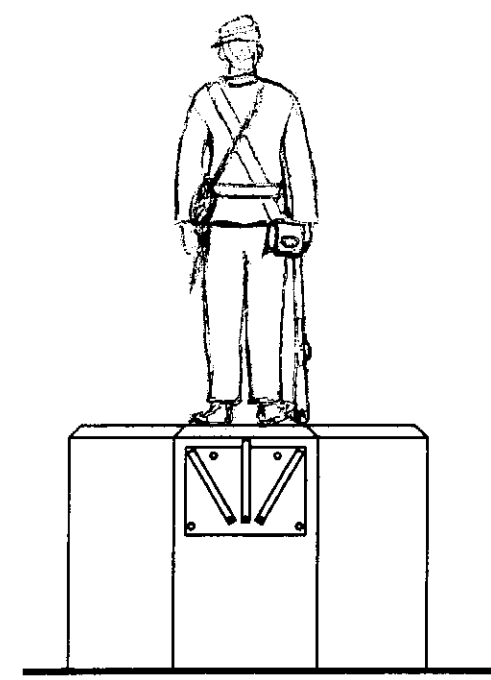
Robert E. Heath can accept no responsibility for possible errors in printed matter and reserves the right to alter this drawing without notice.

RevNo	Revision note	Date	Signature	Checked

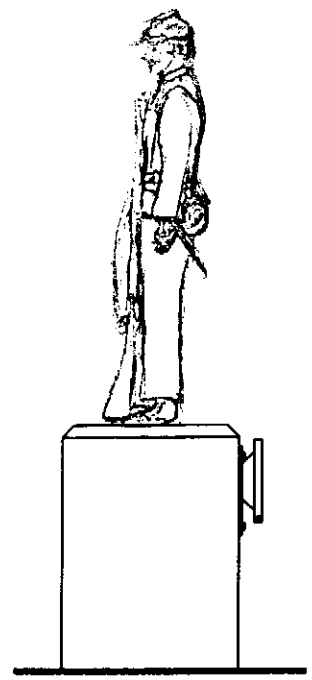
Designed by: Robert E. Heath	Drawn by: Dale Heath	Monument Design Concept <i>ANGLES & HEROES</i>	Date 28/02/09	Scale 3/8" = 1'
Dwg #: Monument		Canadian Union Veteran's Civil War Monument (1861-1865)		
Revision 0	Sheet 3 of 3			



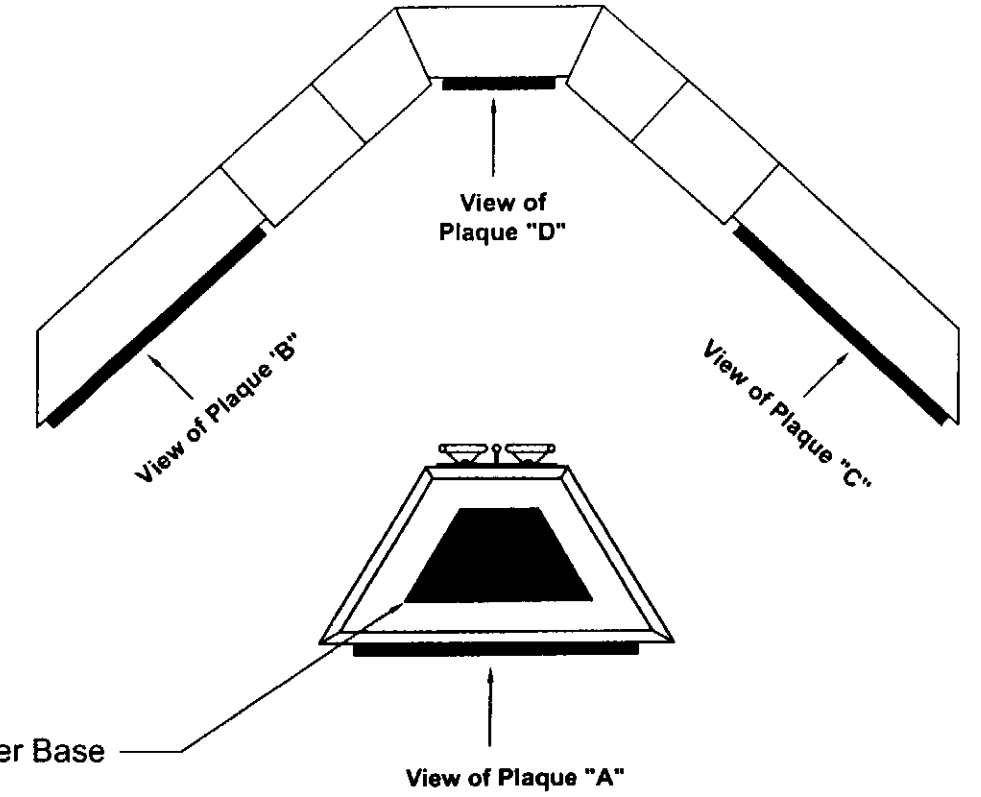
FRONT VIEW OF SOLDIER'S PEDESTAL WITH PLAQUE "A"



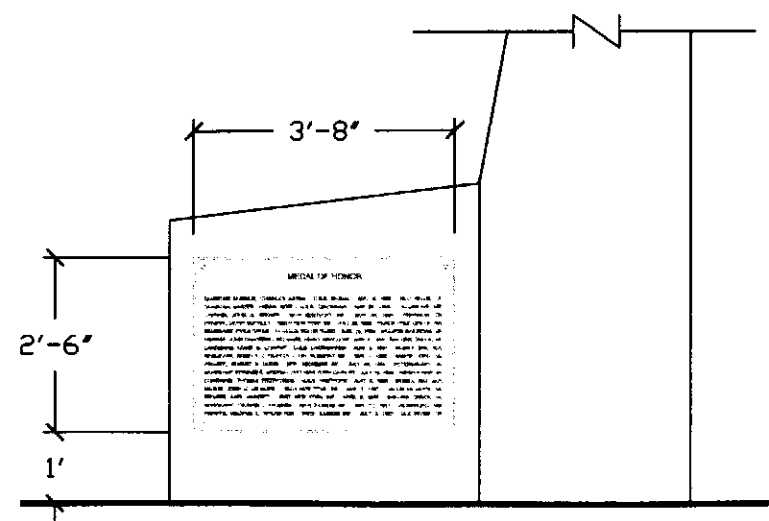
REAR VIEW OF SOLDIER'S PEDESTAL



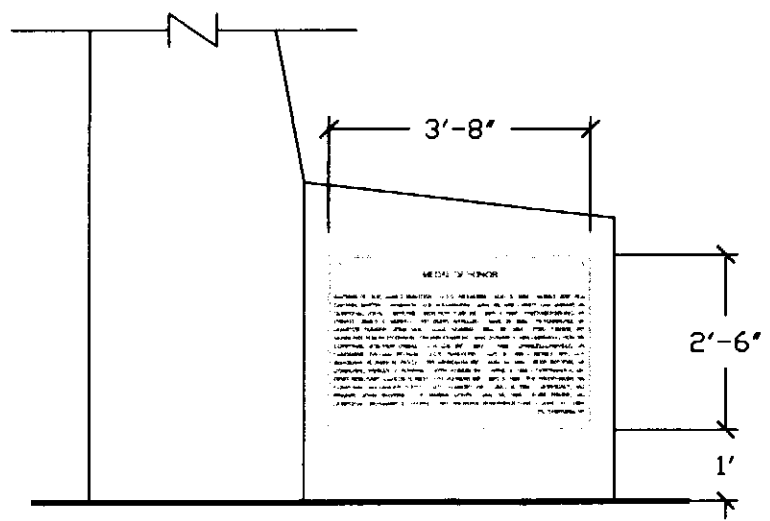
SIDE VIEW OF SOLDIER'S PEDESTAL



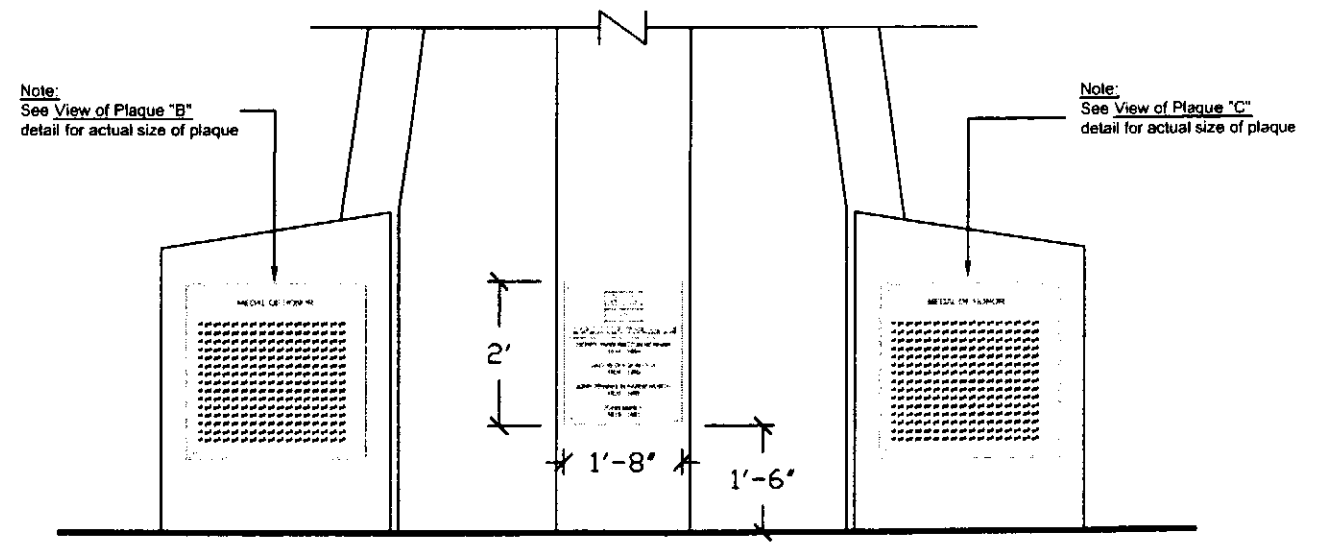
TOP VIEW OF OVERALL PLAQUE LOCATIONS



VIEW OF PLAQUE "B"



VIEW OF PLAQUE "C"



VIEW OF PLAQUE "D"

Robert E. Heath is a National Member at Large of the "SONS OF UNION VETERANS OF THE CIVIL WAR".

Confidential: Property of Robert E. Heath, Calgary, Alberta, Canada. Not to be handed over to, copied or used by third party unless permission granted by the noted designer. This drawing supersedes all previous hand drawn drawings and sketches.

Robert E. Heath can accept no responsibility for possible errors in printed matter and reserves the right to alter this drawing without notice.

RevNo	Revision note	Date	Signature	Checked

Designed by: Robert E. Heath	Drawn by: Dale Heath	PLAQUE LOCATIONS	Date 28/02/09	Scale 3/4" = 1'
Dwg #: Monument		Canadian Union Veteran's Civil War Monument (1861-1865)		
Revision 0	Sheet 2 of 3			

Robert E. Heath